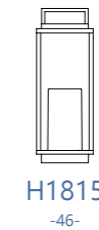
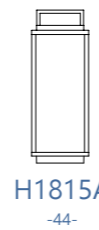
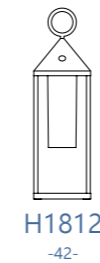
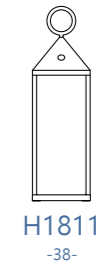
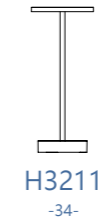
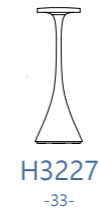
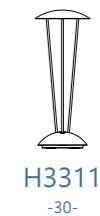
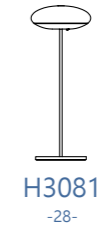
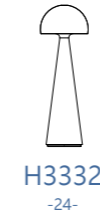
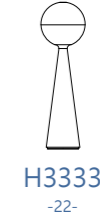
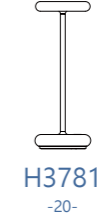
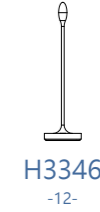


CORDLESS LAMPS

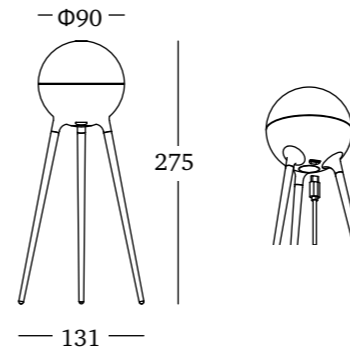
03/2026

- 38_ H1811
- 42_ H1812
- 44_ H1815A
- 46_ H1815
- 28_ H3081
- 27_ H3085
- 26_ H3085S
- 34_ H3211
- 33_ H3227
- 32_ H3227S
- 30_ H3311
- 14_ H3325
- 16_ H3326
- 18_ H3327
- 06_ H3328
- 24_ H3332
- 22_ H3333
- 08_ H3341
- 10_ H3343
- 12_ H3346
- 04_ H3348
- 35_ H3381
- 08_ H3635
- 06_ H3641
- 20_ H3781

INDEX 2026



Minimum order quantity: 500 pieces per colour.



H3348



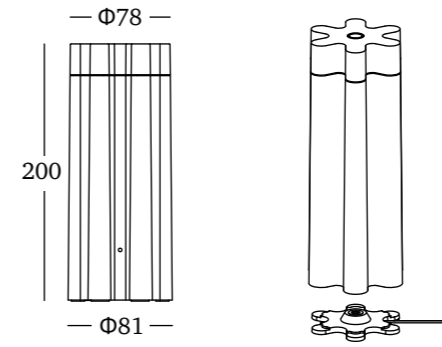
LED rechargeable lamp
Charger included
Touch switch
Dimmable: 5%-100%
IP65

Materials:

- Aluminium die-casting
 - Powder coating painting
 - Clear PC
- Charging time: 4-5h
Working time: 13-14h
Input: AC 100V-240V~50/60Hz
Output: DC 5V = 2A
Power: 2.5W, 5V
Lithium Battery: 2*2600mAh

LED: Lumileds 3535
Lumens: 173
CCT: 3000k
CRI ≥ 80

Inner box size: 18 x 17 x 34 cm
Master: 6 pieces
Master size: 52.5 x 37.5 x 35.5 cm
Net weight: 2.7 kg
Gross weight: 5.6 kg



H3641



LED rechargeable lamp
 Charger included
 Touch switch
 Dimmable: 5%-100%
 IP54

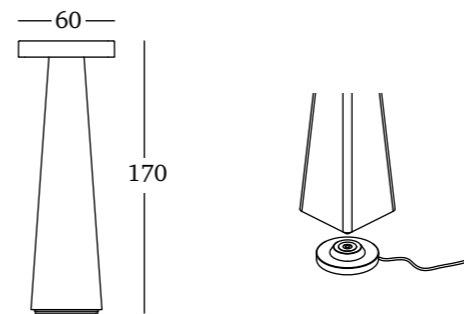
Materials:

- Aluminium die-casting
- Powder coating painting
- Clear PC

Charging time: 5-6h
 Working time: 10-12h
 Input: AC 100V-240V~50/60Hz
 Output: DC 5V = 2A
 Power: 2.2W, 5V
 Lithium Battery: 2*2200mAh

LED: Lumileds 2835
 Lumens: 87/115
 CCT: 2200k / 3000k
 CRI ≥80

Inner box size: 12 x 12 x 30 cm
 Master: 6 pieces
 Master size: 38 x 25.5 x 31.5 cm
 Net weight: 5.1 kg
 Gross weight: 7 kg



H3635PRO



LED rechargeable lamp
 Charger included
 Touch switch
 Dimmable: 5%-100%
 IP54

Materials:

- Aluminium die-casting
- Powder coating painting
- Clear PC

Charging time: 3-4h

Working time: 9-10h

Input: AC 100V-240V~50/60Hz

Output: DC 5V = 1A

Power: 1.8W, 5V

Lithium Battery: 2600mAh

LED: Lumileds 4014

Lumens: 125/141/144

CCT: 2200k / 2700k / 3000k

CRI ≥80

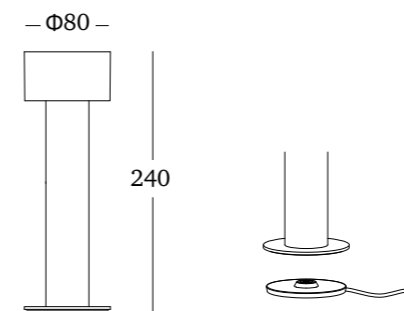
Inner box size: 10.5 x 9.5 x 24 cm

Master: 6 pieces

Master size: 30.5 x 22.5 x 25.5 cm

Net weight: 2.2 kg

Gross weight: 3.2 kg



H3343PRO



LED rechargeable lamp
 Charger included
 Touch switch
 Dimmable: 5%-100%
 IP65

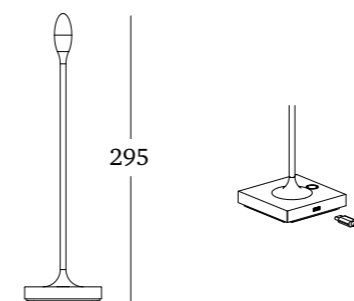
Materials:

- Aluminium die-casting
- Powder coating painting
- Clear PC

Charging time: 4-5h
 Working time: 11-12h
 Input: AC 100V-240V~50/60Hz
 Output: DC 5V = 1A
 Power: 2.2W, 5V
 Lithium Battery: 2*2200mAh

LED: Lumileds 4014
 Lumens: 140/150/160
 CCT: 2200k / 2700k / 3000k
 CRI ≥80

Inner box size: 14 x 14 x 30 cm
 Master: 12 pieces
 Master size: 58 x 43.5 x 31.5 cm
 Net weight: 5 kg
 Gross weight: 8.7 kg



H3346



LED rechargeable lamp
 Charger included
 Touch switch
 Dimmable: 5%-100%
 IP65

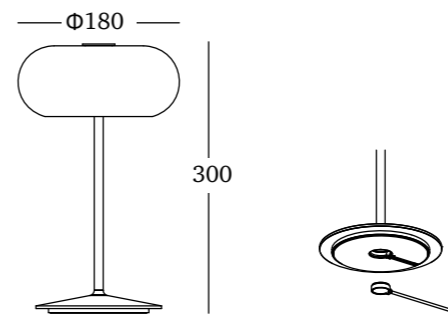
Materials:

- Aluminium die-casting
- Powder coating painting
- Clear PC

Charging time: 3-4h
 Working time: 9-10h
 Input: AC 100V-240V~50/60Hz
 Output: DC 5V = 2A
 Power: 2.2W, 5V
 Lithium Battery: 3000mAh

LED: Lumileds 4014
 Lumens: 178
 CCT: 3000k
 CRI ≥80

Inner box size: 13 x 13 x 35 cm
 Master: 12 pieces
 Master size: 53.5 x 40.5 x 36.5 cm
 Net weight: 6 kg
 Gross weight: 11.4 kg



H3325



LED rechargeable lamp
 Charger included
 Touch switch
 Dimmable: 5%-100%
 IP65

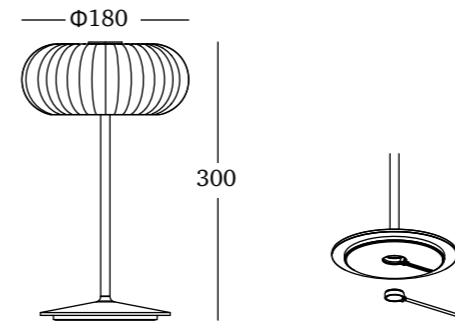
Materials:

- Aluminium die-casting
- Powder coating painting
- Frost glass

Charging time: 4-5h
 Working time: 12-13h
 Input: AC 100V-240V~50/60Hz
 Output: DC 5V = 2A
 Power 2.5W, 5V
 Lithium Battery: 2x2600mAh

LED: Lumileds 4014
 Lumens: 187/196/213
 CCT: 2200k / 2700k / 3000k
 CRI ≥80

Inner box size: 24.5 x 23.5 x 46 cm
 Master: 4 pieces
 Master size: 50.5 x 48.5 x 47.5 cm
 Net weight: 5.6 kg
 Gross weight: 12.2 kg



H3326



LED rechargeable lamp
 Charger included
 Touch switch
 Dimmable: 5%-100%
 IP65

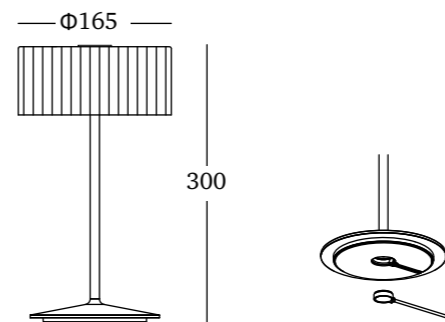
Materials:

- Aluminium die-casting
- Powder coating painting
- Frost glass

Charging time: 4-5h
 Working time: 12-13h
 Input: AC 100V-240V~50/60Hz
 Output: DC 5V = 2A
 Power 2.5W, 5V
 Lithium Battery: 2x2600mAh

LED: Lumileds 4014
 Lumens: 186/194/211
 CCT: 2200k / 2700k / 3000k
 CRI ≥80

Inner box size: 24.5 x 23.5 x 46 cm
 Master: 4 pieces
 Master size: 50.5 x 48.5 x 47.5 cm
 Net weight: 5.6 kg
 Gross weight: 12.2 kg



H3327



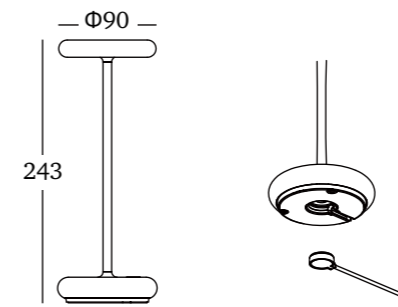
LED rechargeable lamp
 Charger included
 Touch switch
 Dimmable: 5%-100%
 IP65

Materials:

- Aluminium die-casting
 - Powder coating painting
 - Frost glass
 Charging time: 4-5h
 Working time: 12-13h
 Input: AC 100V-240V~50/60Hz
 Output: DC 5V = 2A
 Power: 2.5W, 5V
 Lithium Battery: 2x2600mAh

LED: Lumileds 4014
 Lumens: 192/200/220
 CCT: 2200k / 2700k / 3000k
 CRI ≥ 80

Inner box size: 24.5 x 23.5 x 46 cm
 Master: 4 pieces
 Master size: 50.5 x 48.5 x 47.5 cm
 Net weight: 5.6 kg
 Gross weight: 12.2 kg



H3781



LED rechargeable lamp
 Charger included
 Touch switch
 Dimmable: 5%-100%
 IP65

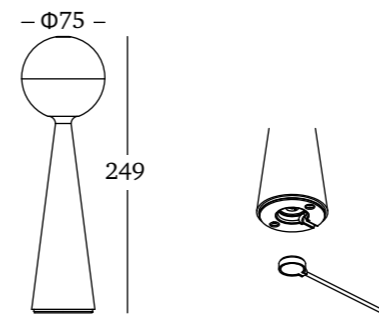
Materials:

- Aluminium die-casting
- Powder coating painting
- Frosted polycarbonate diffuser

Charging time: 2-3h
 Working time: 6-7h
 Input: AC 100V-240V~50/60Hz
 Output: DC 5V = 1A
 Power 1.5W, 5V
 Lithium Battery: 2*800 mAh

LED: Lumileds 4014
 Lumens: 133/137
 CCT: 2700k / 3000k
 CRI ≥80

Inner box size: 13.5 x 13 x 30 cm
 Master: 6 pieces
 Master size: 40.5 x 28.5 x 31.5 cm
 Net weight: 2.3 kg
 Gross weight: 5.5 kg



H3333



LED rechargeable lamp
 Charger included
 Touch switch
 Dimmable: 5%-100%
 IP65

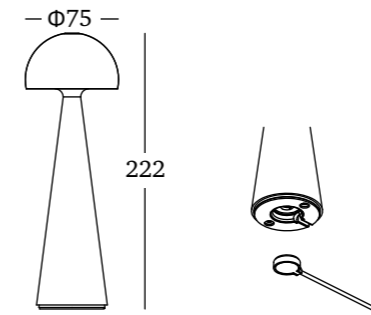
Materials:

- Aluminium die-casting
- Powder coating painting
- Frosted polycarbonate diffuser

Charging time: 3-4h
 Working time: 8-9h
 Input: AC 100V-240V~50/60Hz
 Output: DC 5V = 1A
 Power 1.8W, 5V
 Lithium Battery: 2600 mAh

LED: Lumileds 4014
 Lumens: 160/162/166
 CCT: 2200k / 2700k / 3000k
 CRI ≥80

Inner box size: 12.5 x 11.5 x 30.5 cm
 Master: 12 pieces
 Master size: 48 x 39 x 32 cm
 Net weight: 5.7 kg
 Gross weight: 10.2 kg



H3332



LED rechargeable lamp
Charger included
Touch switch
Dimmable: 5%-100%
IP65

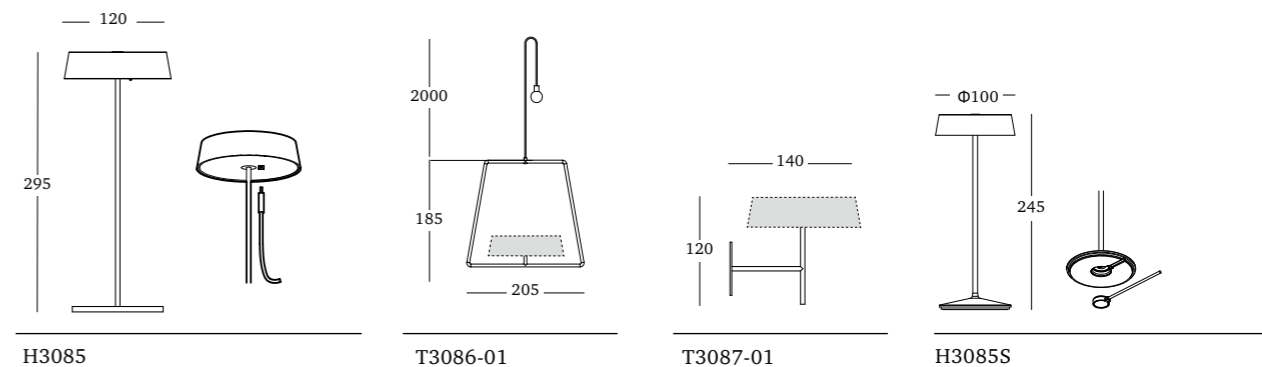
Materials:

- Aluminium die-casting
- Powder coating painting
- Frosted polycarbonate diffuser

Charging time: 3-4h
Working time: 8-9h
Input: AC 100V-240V~50/60Hz
Output: DC 5V = 1A
Power 1.8W, 5V
Lithium Battery: 2600 mAh

LED: Lumileds 4014
Lumens: 141/151/154
CCT: 2200k / 2700k / 3000k
CRI ≥80

Inner box size: 11.5 x 11.5 x 27.5 cm
Master: 12 pieces
Master size: 48 x 39 x 29 cm
Net weight: 5.6 kg
Gross weight: 10.1 kg



H3085

T3086-01

T3087-01

H3085S

H3085



LED rechargeable lamp
Charger included
Touch switch
Dimmable: 5%-100%
IP54

Materials:

- Aluminium die-casting
- Powder coating painting
- Frosted polycarbonate diffuser

Charging time: 6h
Working time: 12h
Input: AC 100V-240V~50/60Hz
Output: DC 5V = 1A
Power 2.2W, 5V
Lithium Battery: 2*2200 mAh

LED: Lumileds 4014
Lumens: 196
Colour temperature: 3000k
CRI ≥80

Inner box size: 14.5 x 14.5 x 29 cm
Master: 6 pieces
Master size: 45 x 30.5 x 30.5 cm
Net weight: 6 kg
Gross weight: 9.7 kg

H3085S



LED rechargeable lamp
Charger included
Touch switch
Dimmable: 5%-100%
IP65

Materials:

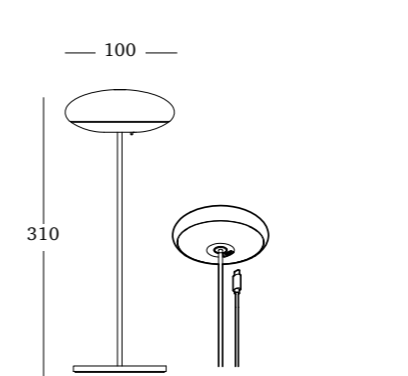
- Aluminium die-casting
- Powder coating painting
- Frosted polycarbonate diffuser

Charging time: 2-3h
Working time: 6-7h
Input: AC 100V-240V~50/60Hz
Output: DC 5V = 1A
Power 1.5 W, 5V
Lithium Battery: 2*800 mAh

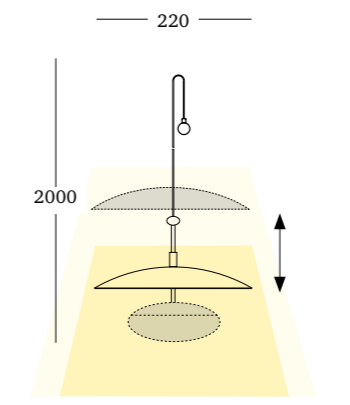
LED: Lumileds 4014
Lumens: 142/144
CCT: 2700k / 3000k
CRI ≥80

Inner box size: 14 x 13.5 x 30 cm
Master: 8 pieces
Master size: 55.5 x 29.5 x 31.5 cm
Net weight: 3.36 kg
Gross weight: 7.77 kg

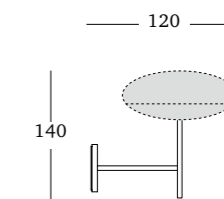




H3081



T3082-01



T3087-01

H3081



LED rechargeable lamp
 Charger included
 Touch switch
 Dimmable: 5%-100%
 IP54

Materials:

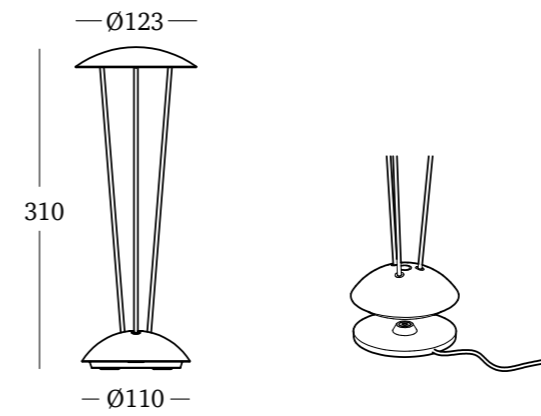
- Aluminium die-casting
- Powder coating painting
- Frosted polycarbonate diffuser

Charging time: 6h
 Working time: 12h
 Input: AC 100V-240V~50/60Hz
 Output: DC 5V = 1A
 Power 2.2W, 5V
 Lithium Battery: 2*2200 mAh

LED: Lumileds 3014
 Lumens: 192
 Colour temperature: 3000k
 CRI ≥80


Inner box size: 14.5 x 14.5 x 29 cm
 Master: 6 pieces
 Master size: 45 x 30.5 x 30.5 cm
 Net weight: 7.02 kg
 Gross weight: 10.1 kg





H3311PRO



LED rechargeable lamp
 Charger included
 Touch switch
 Dimmable: 5%-100%
 IP54 

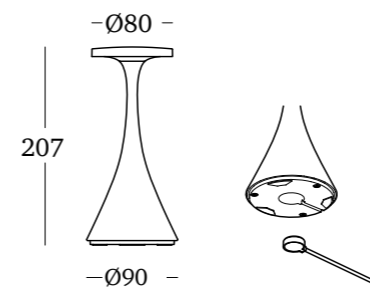
Materials:

- Aluminium die-casting
- Powder coating painting
- Frosted polycarbonate diffuser

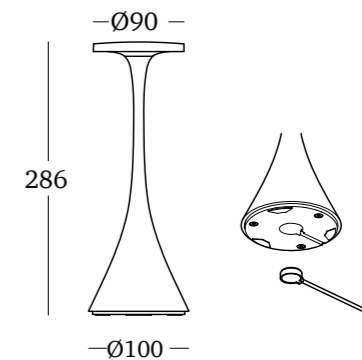
Charging time: 6-8h
 Working time: 10-12h
 Input: AC 100V-240V~50/60Hz
 Output: DC 5V = 1A
 Power 2.2W, 5V
 Lithium Battery: 2*2200 mAh

LED: Lumileds 4014
 Lumens: 190/197
 CCT: 2700k / 3000k
 CRI ≥80

Inner box size: 15.5 x 15.5 x 38.5 cm
 Master: 8 pieces
 Master size: 63.5 x 32.5 x 40 cm
 Net weight: 4.5 kg
 Gross weight: 6.9 kg





H3227S



H3227



LED rechargeable lamp
Charger included
Touch switch
Dimmable: 5%-100%
IP54  



Materials:

- Aluminium die-casting
- Powder coating painting
- Frosted polycarbonate diffuser
Charging time: 2-3h
Working time: 6-7h
Input : AC 100V-240V ~ 50/60Hz
Output: DC 5V = 1A
Power: 1.8W, 5V
Lithium Battery: 1*2200 mAh

LED: Lumileds 4014
Lumens: 164/173
CCT: 2700k / 3000k
CRI ≥80

Inner box size: 12.5 x 12.5 x 27 cm
Master: 12 pieces
Master size: 52 x 39 x 28.5 cm
Net weight: 3.5 kg
Gross weight: 8.8 kg



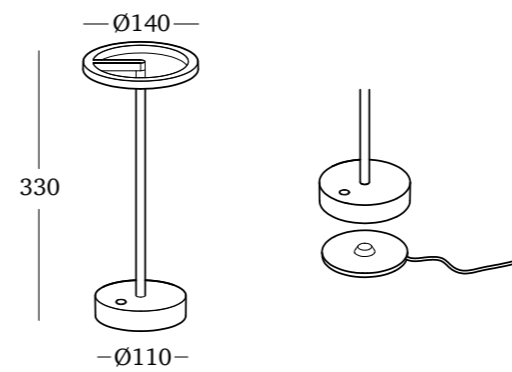
LED rechargeable lamp
Charger included
Touch switch
Dimmable: 5%-100%
IP54  

Materials:

- Aluminium die-casting
- Powder coating painting
- Frosted polycarbonate diffuser
Charging time: 6-8h
Working time: 10-12h
Input : AC 100V-240V ~ 50/60Hz
Output: DC 5V = 1A
Power: 2.2W, 5V
Lithium Battery: 2*2200 mAh


LED: Lumileds 4014
Lumens: 203/212
CCT: 2700k / 3000k
CRI ≥80

Inner box size: 14 x 13.5 x 34 cm
Master: 6 pieces
Master size: 42 x 29.5 x 35.5 cm
Net weight: 2.5 kg
Gross weight: 5.8 kg



H3211PRO



LED rechargeable lamp
 Charger included
 Touch switch
 Dimmable: 5%-100%
 IP54 

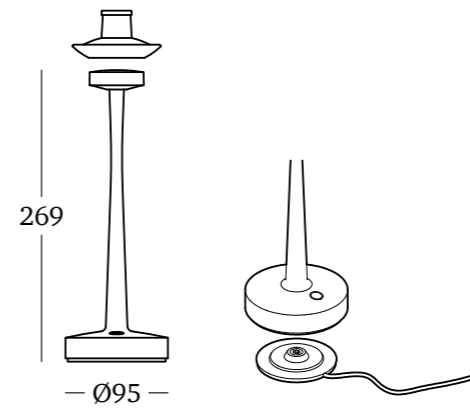
Materials:

- Aluminium die-casting
- Powder coating painting
- Frosted polycarbonate diffuser

Charging time: 6-8h
 Working time: 10h
 Input: AC 100V-240V~50/60Hz
 Output: DC 5V = 1A
 Power 2.2W, 5V
 Lithium Battery: 2*2200 mAh


LED: Lumileds 3014
 Lumens: 159
 Colour temperature: 3000k
 CRI ≥80

Inner box size: 17 x 17 x 37.5 cm
 Master: 6 pieces
 Master size: 52.5 x 35.5 x 39 cm
 Net weight: 3 kg
 Gross weight: 6.6 kg



H3381PRO



LED rechargeable lamp
 Charger included
 Touch switch
 Dimmable: 5%-100%
 IP54 

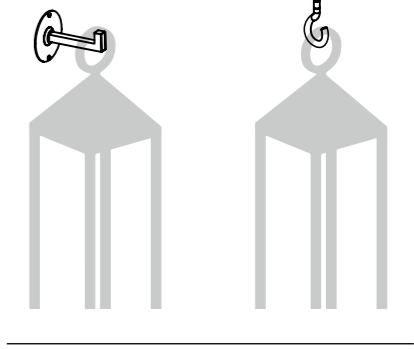
Materials:

- Aluminium die-casting
- Powder coating painting
- Frosted polycarbonate diffuser

Charging time: 6-8h
 Working time: 10-12h
 Input: AC 100V-240V~50/60Hz
 Output: DC 5V = 1A
 Power 2.2W, 5V
 Lithium Battery: 2*2200 mAh

LED: Lumileds 4014
 Lumens: 209/216
 CCT: 2700k / 3000k
 CRI ≥80

Inner box size: 14 x 14 x 34.5 cm
 Master: 6 pieces
 Master size: 43.5 x 29.5 x 36 cm
 Net weight: 2.2 kg
 Gross weight: 5.9 kg

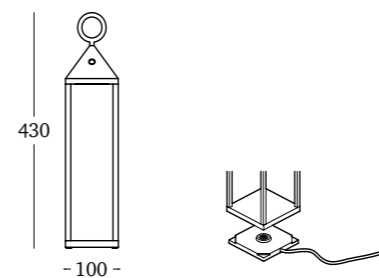


T1811-01

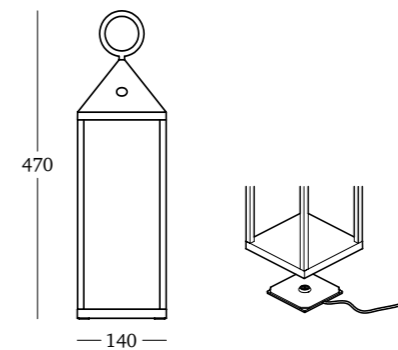
T1811-02

Wall hook:
 Master: 50 pieces
 Master size: 47.5 x 23.5 x 47.5 cm
 Net weight: 6 kg
 Gros weight: 6.7 kg

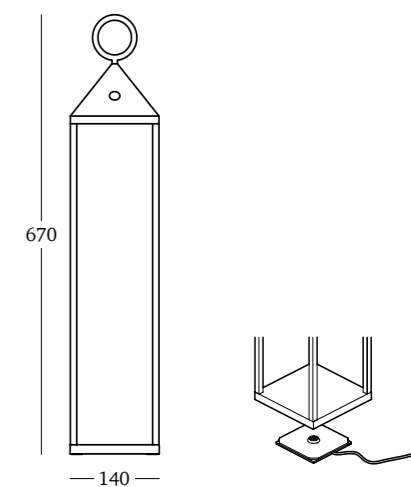
Pendant hook:
 Master: 20 pieces
 Master size: 37.5 x 15 x 18 cm
 Net weight: 4 kg
 Gros weight: 5.3 kg



H1811SPRO



H1811PRO-470



H1811PRO-670



LED rechargeable lamp
Charger included
Touch switch
Dimmable: 5%-100%
IP54

Materials:

- Aluminium die-casting
- Powder coating painting
- Frosted polycarbonate diffuser
Charging time: 7h
Working time: 12h
Input: AC 100V-240V~50/60Hz
Output: DC 5V = 1A
Power 2.2W, 5V
Lithium Battery: 2*2200 mAh

LED: Lumileds 3014
Lumens: 170
Colour temperature: 3000k
CRI ≥80

Inner box size: 12 x 12 x 46.5 cm
Master: 6 pieces
Master size: 37.5 x 25.5 x 48 cm
Net weight: 5.2 kg
Gross weight: 7.8 kg



LED rechargeable lamp
Charger included
Touch switch
Dimmable: 5%-100%
IP54

Materials:

- Aluminium die-casting
- Powder coating painting
- Frosted polycarbonate diffuser
Charging time: 7h
Working time: 12h
Input: AC 100V-240V~50/60Hz
Output: DC 5V = 1A
Power 2.2W, 5V
Lithium Battery: 2*2200 mAh

LED: Lumileds 3014
Lumens: 161
Colour temperature: 3000k
CRI ≥80

Inner box size: 16.5 x 16.5 x 51 cm
Master: 4 pieces
Master size: 34.5 x 34.5 x 53 cm
Net weight: 5.4 kg
Gross weight: 7.9 kg



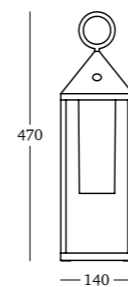
LED rechargeable lamp
Charger included
Touch switch
Dimmable: 5%-100%
IP54

Materials:

- Aluminium die-casting
- Powder coating painting
- Frosted polycarbonate diffuser
Charging time: 7h
Working time: 12h
Input: AC 100V-240V~50/60Hz
Output: DC 5V = 1A
Power 2.2W, 5V
Lithium Battery: 2*2200 mAh

LED: Lumileds 3014
Lumens: 167
Colour temperature: 3000k
CRI ≥80

Inner box size: 16.5 x 16.5 x 71 cm
Master: 4 pieces
Master size: 34.5 x 34.5 x 73 cm
Net weight: 5.9 kg
Gross weight: 8.6 kg



H1812PRO-470



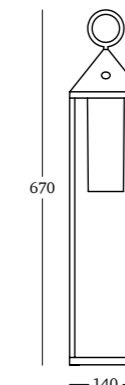
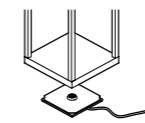
LED rechargeable lamp
Charger included
Touch switch
Dimmable: 5%-100%
IP54

Materials:

- Aluminium die-casting
- Powder coating painting
- Opal polycarbonate diffuser
Charging time: 7h
Working time: 12h
Input: AC 100V-240V~50/60Hz
Output: DC 5V = 1A
Power 2.2W, 5V
Lithium Battery: 2*2200 mAh

LED: Lumileds 3014
Lumens: 153
Colour temperature: 3000k
CRI ≥80

Inner box size: 16.5 x 16.5 x 51 cm
Master: 4 pieces
Master size: 34.5 x 34.5 x 53 cm
Net weight: 5.9 kg
Gross weight: 8.4 kg



H1812PRO-670



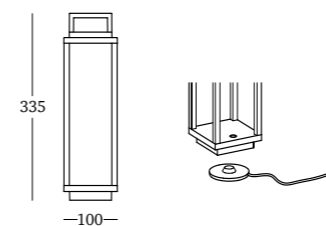
LED rechargeable lamp
Charger included
Touch switch
Dimmable: 5%-100%
IP54

Materials:

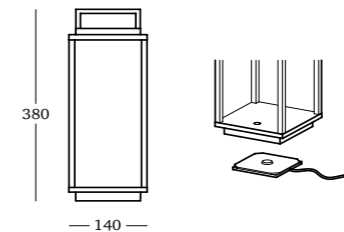
- Aluminium die-casting
- Powder coating painting
- Opal polycarbonate diffuser
Charging time: 7h
Working time: 12h
Input: AC 100V-240V~50/60Hz
Output: DC 5V = 1A
Power 2.2W, 5V
Lithium Battery: 2*2200 mAh

LED: Lumileds 3014
Lumens: 178
Colour temperature: 3000k
CRI ≥80

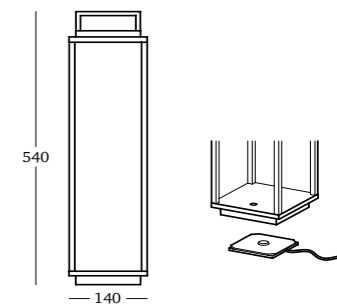
Inner box size: 16.5 x 16.5 x 71 cm
Master: 4 pieces
Master size: 34.5 x 34.5 x 73 cm
Net weight: 6.4 kg
Gross weight: 9.2 kg



H1815SPRO



H1815APRO-380



H1815APRO-540



LED rechargeable lamp
Charger included
Touch switch
Dimmable: 5%-100%
IP54

Materials:

- Aluminium die-casting
- Powder coating painting
- Frosted polycarbonate diffuser

Charging time: 7h
Working time: 12h
Input: AC 100V-240V~50/60Hz
Output: DC 5V = 1A
Power 2.2W, 5V
Lithium Battery: 2*2200 mAh

LED: Lumileds 3014
Lumens: 204
Colour temperature: 3000k
CRI ≥ 80

Inner box size: 12 x 12 x 36.5 cm
Master: 6 pieces
Master size: 37.5 x 25.5 x 38.5 cm
Net weight: 4.5 kg
Gross weight: 6.1 kg



LED rechargeable lamp
Charger included
Touch switch
Dimmable: 5%-100%
IP54

Materials:

- Aluminium die-casting
- Powder coating painting
- Frosted polycarbonate diffuser

Charging time: 7h
Working time: 12h
Input: AC 100V-240V~50/60Hz
Output: DC 5V = 1A
Power 2.2W, 5V
Lithium Battery: 2*2200 mAh

LED: Lumileds 3014
Lumens: 180
Colour temperature: 3000k
CRI ≥ 80

Inner box size: 16 x 16 x 45.5 cm
Master: 4 pieces
Master size: 35.5 x 35.5 x 47.5 cm
Net weight: 5.6 kg
Gross weight: 7.6 kg



LED rechargeable lamp
Charger included
Touch switch
Dimmable: 5%-100%
IP54

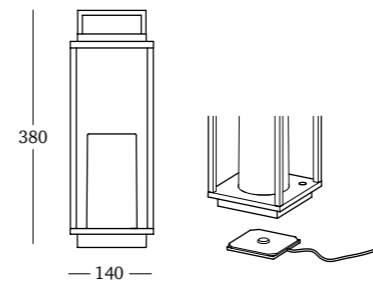
Materials:

- Aluminium die-casting
- Powder coating painting
- Frosted polycarbonate diffuser

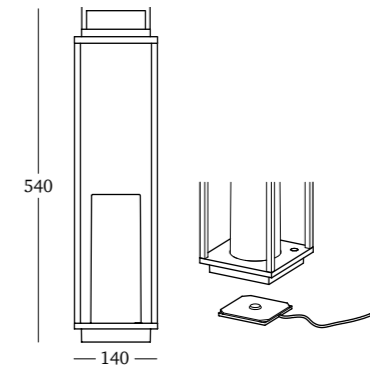
Charging time: 7h
Working time: 12h
Input: AC 100V-240V~50/60Hz
Output: DC 5V = 1A
Power 2.2W, 5V
Lithium Battery: 2*2200 mAh

LED: Lumileds 3014
Lumens: 180
Colour temperature: 3000k
CRI ≥ 80

Inner box size: 16 x 16 x 61.5 cm
Master: 4 pieces
Master size: 33.5 x 33.5 x 63.5 cm
Net weight: 6 kg
Gross weight: 8.2 kg





H1815PRO-380



H1815PRO-540



LED rechargeable lamp
Charger included
Touch switch
Dimmable: 5%-100%
IP54  

Materials:



- Aluminium die-casting
- Powder coating painting
- Opal polycarbonate diffuser

Charging time: 7h
Working time: 11h
Input: AC 100V-240V~50/60Hz
Output: DC 5V = 1A
Power 2.2W, 5V
Lithium Battery: 2*2200 mAh

LED: Lumileds 3014
Lumens: 158
Colour temperature: 3000k
CRI ≥80

Inner box size: 16 x 16 x 42 cm
Master: 4 pieces
Master size: 33.5 x 33.5 x 43.5 cm
Net weight: 5.2 kg
Gross weight: 7.6 kg



LED rechargeable lamp
Charger included
Touch switch
Dimmable: 5%-100%
IP54  

Materials:

- Aluminium die-casting
- Powder coating painting
- Opal polycarbonate diffuser

Charging time: 7h
Working time: 11h
Input: AC 100V-240V~50/60Hz
Output: DC 5V = 1A
Power 2.2W, 5V
Lithium Battery: 2*2200 mAh

LED: Lumileds 3014
Lumens: 158
Colour temperature: 3000k
CRI ≥80

Inner box size: 16 x 16 x 58 cm
Master: 4 pieces
Master size: 33.5 x 33.5 x 59.5 cm
Net weight: 5.9 kg
Gross weight: 8.4 kg



YUYAO HILITE ELECTRIC CO.,LTD

CE 23, Far East industrial park.
Yuyao 315400, Zhejiang prov. China
hilite@chinahilite.com
sales@chinahilite.com
Tel: +86 574 62665518
www.chinahilite.com